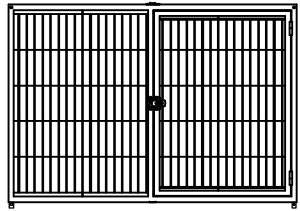
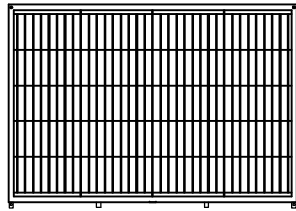


# 075 Assembly Instruction

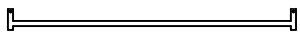
## Components



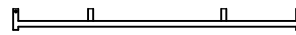
A:1× Front Panel



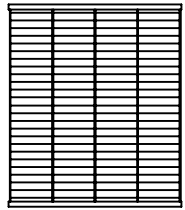
B:1× Back Panel



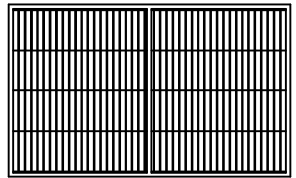
C:1× Front stand



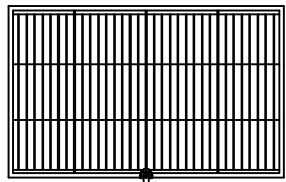
D:1× Back stand



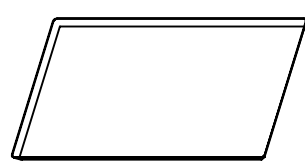
E:2× Side Panel



F:1× Bottom Panel



G:1× Top Panel



H:1× Bottom Tray



I:2× Bottom Bar



J:8× Screw M8\*40



K:2× Screw M6\*30



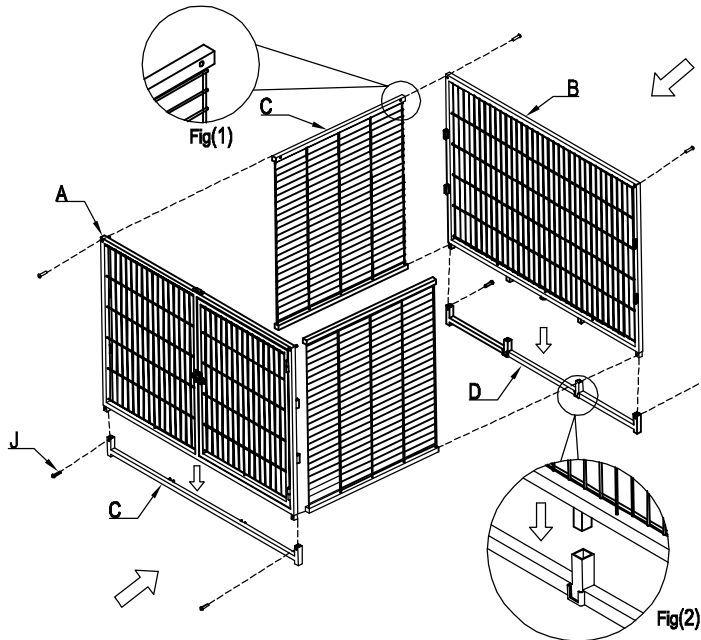
L:4× Wheel



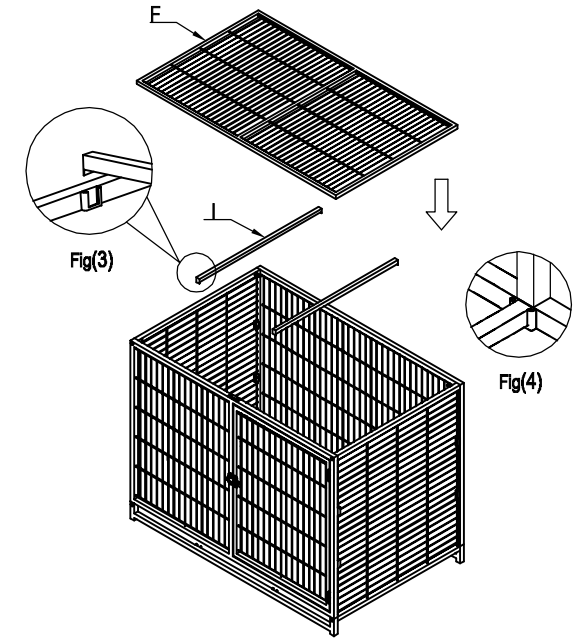
M:2× Nut



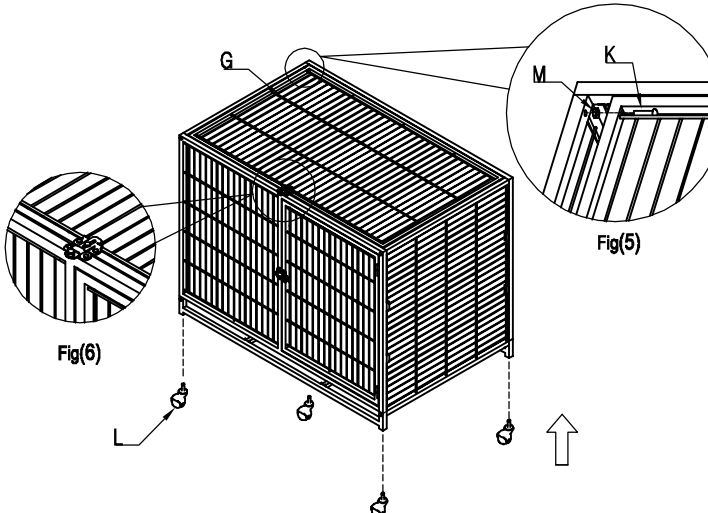
N:1× Spanner



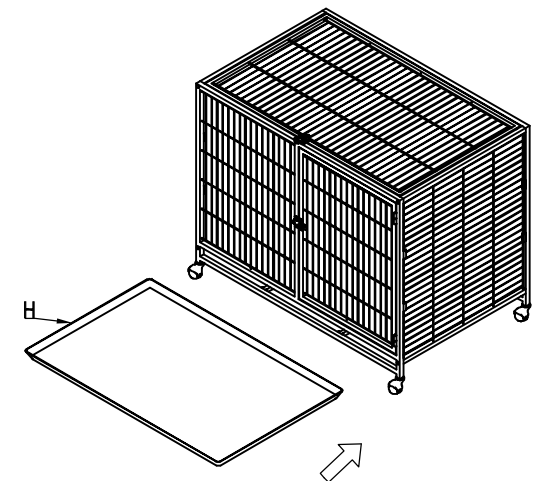
Step 1. Insert Front Panel(A)&Back Panel(B) feet into Front Stand(C)&Back Stand(D) to be full parts; Then assemble them with Side Panel(E) and fix with screw(J); Make all sides with location/wholes inward cage.



Step 2. Insert Bottom Bar(I) into inner location on Front&Back Panel stand. Put Bottom Panel(F) upon Bottom Bar(I). Put Bottom Panel(F) upon Bottom Bar(I).



Step 3. Screw (K) in Nut(M) between Top Panel(G)&Side Panel (E) and keep locker outside Top Panel; Then insert wheels(L) into feet.



Step 4. Insert Bottom Tray(H) into guide gap.